

Pattern Schweini

inches: 7,5 x 6,5 (19 x 17 csts)



Patterns and tutorial only for non-commercial use.
Sale or unauthorized commercial distribution in any form is prohibited.

Copyright © 2012 by Katja Heinlein and Andrea Renz

material:

100% cotton yarn, 1,75 oz / 50g a ball,
115m / 125 yards a ball = 2 balls pink for the pig
crochet hook = metric: 2,5mm, US: 2/0 UK: 1/0

100% cotton yarn, 1,75 oz / 50g pro ball,
250m / 273 yards per ball = 1 brown ball for the spots
steel crochet hook size: metric: 0,75 mm, US: 14, UK: 7

100% cotton yarn 50g pro ball,
125m / 136 yards per ball = 1 ball green for the cloverleaf
steel crochet hook size: metric: 1,5mm, US: 8, UK: 4 1/2

polyester fiberfill for stuffing
black eyes w/wire loop (9msts)
black yarn

abbreviation:

R= Round
ar= around
st= stitch
sc= single crochet
ch= chain
sc2tog= work 2 single crochet
together
ttw= turn the work

The figure is designed to be crocheted in continuous rounds - do no close rounds or turn unless otherwise stated. Mark the first stitch of each round.

Copyright © by Katja Heinlein und Andrea Renz

head + body: (work in rounds)

R 1: make 6sc in a crochet ring
in einen Fadenring 6 FM häkeln = 6 sts

R 2: make 2 sc in each stitch = 12 sts

R 3: (1 sc, 2 sc in next st) around = 18 sts

R 4: (1 sc in next 2 sts, 2 sc in next st) ar=24sts

R 5: crochet between the stitches (picture ↓)
work 1 sc in each st around (24 sts)



5 rounds: work 1 sc in each st around = 24 sts

Round 11: (1 sc, 2 sc in next st) ar = 36 sts

Round 12: (2 sc, 1 sc in next 2 sts) ar= 48 sts

2 rounds: work 1 sc in each st around = 48 sts

R 15: make 2 sc in stitch:
6, 8, 12, 16, 20, 29, 33, 37, 41, 43 = 58 sts

R 16: work 1 sc in each st around = 58 sts

R 17: make 2 sc in stitch:
10, 22, 24, 26, 28, 31, 33, 35, 37, 49 = 68 sts

5 rounds: work 1 sc in each st around = 68 sts

R 23:
sc2tog: 16+17, 33+34, 35+36, 52+53 = 64 sts

R 24: sc2tog: 1+2, 8+9, 16+17, 24+25, 32+33,
40+41, 48+49, 56+57 = 56 sts

R 25: (1 sc in next 5 sts, sc2tog) around =48 sts

2 rounds: work 1 sc in each st around = 48 sts

R 28: sc2tog: 1+2, 6+7, 12+13, 18+19, 24+25,
30+31, 36+37, 42+43 =40 sts

R 29: (1 sc in next 3 sts, sc2tog) around = 32sts

3 rounds: work 1 sc in each st around = 32 sts

R 33: (1 sc, 2 sc in next st) around = 48 sts

3 rounds: work 1 sc in each st around = 48 sts

R 37: 1 sc in first st, 2 sc in next st,
(1 sc in next 3 sts, 2 sc in next st) ar = 60 sts

3 rounds: work 1 sc in each st around = 60 sts

R 41: 1 sc in first 2 sts, 2 sc in next sts,
(1 sc in next 4 sts, 2 sc in next st) ar = 72 sts

15 rounds: work 1 sc in each st around =72 sts

R 57: crochet first 2 sts together (1 sc in next 7
sts, sc2tog) around =64 sts

2 rounds: work 1 sc in each st around = 64 sts

R 60: crochet first 2 sts together (1 sc in next 6
sts, sc2tog) around = 56 sts

2 rounds: work 1 sc in each st around =56 sts

stuff it

R 63: 1 sc in first 2 sts, sc2tog (1 sc in next 5
sts, sc2tog) around = 48 sts

R 64: work 1 sc in each st around = 48 sts

R 65: crochet first 2 sts together (1 sc in next 6
sts, sc2tog) around = 42 sts

R 66: (1 sc in next 5 sts, sc2tog) around =36 sts

R 67: 1 sc in first st, sc2tog (1 sc in next 4 sts,
sc2tog) around = 30 sts

R 68: (1 sc in next 3 sts, sc2tog) around =24sts

R 69: (1 sc in next 2 sts, sc2tog) around =18sts
stuff it

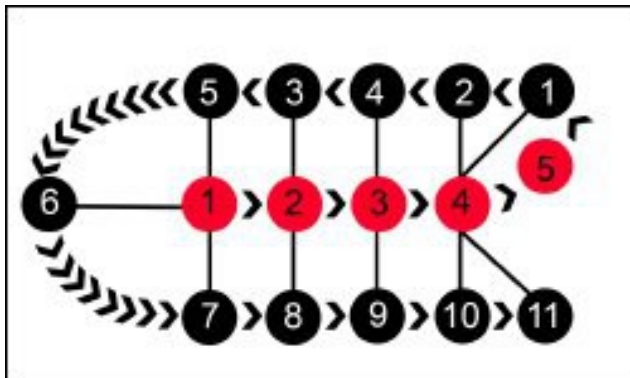
R 70: (1 sc, sc2tog) around = 12 sts

R 71: (sc2tog) around = 6 sts

R 72: (sc2tog) around = 3 sts

finish: make 7 ch, 3sc in 2nd ch from hook, (1 sc in next ch, 3sc in next ch) repeat weave in

ear (make 2) work in rows



O= sc, O= ch
(work around chain)

Row 1: make 5 ch, 2sc in 2nd ch from hook, 1 sc in next 2 chs, 3sc in the last ch, **not turn, working on opposite side of beginning chain stitch:** 1sc in next 2 ch, 2sc in the last ch = 11 sts

Row 2: ttw, 1 ch, 1 sc in each of first 5 sts, 3 sc in next st, 1 sc in each of last 5 sts = 13 sts

Row 3: ttw, 1 ch, 1 sc in each of first 6 sts, 3 sc in next st, 1 sc in each of last 6 sts = 15 sts

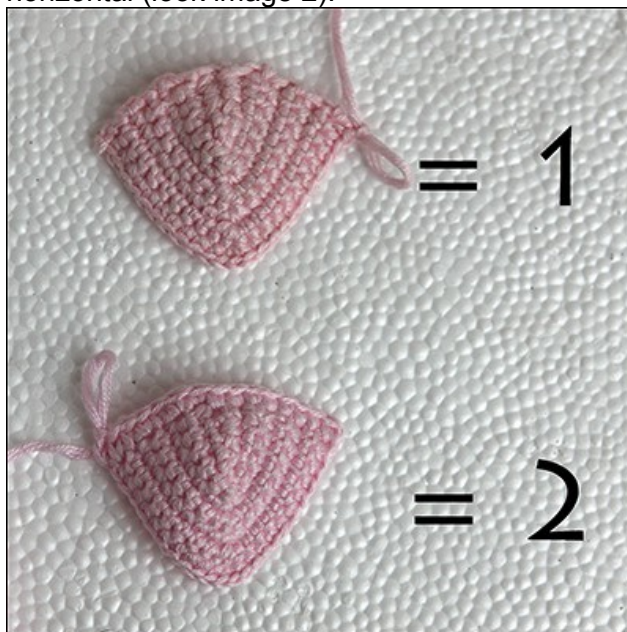
Row 4: ttw, 1 ch, 1 sc in each of first 7 sts, 3 sc in next st, 1 sc in each of last 7 sts = 17 sts

Row 5: ttw, 1 ch, 1 sc in each of first 8 sts, 3 sc in next st, 1 sc in each of last 8 sts = 19 sts

Row 6: ttw, 1 ch, 1 sc in each of first 9 sts, 3 sc in next st, 1 sc in each of last 9 sts = 21 sts

Row 7: ttw, 1 ch, 1 sc in each of first 10 sts, 3 sc in next st, 1 sc in each of last 10 sts=23 sts

make 1 ch (look image 1), now work 15 sc horizontal (look image 2):



2 rows: ttw, 1 ch, 1 sc in each st = 15 sts

Row 3: ttw, 1 ch, sc2tog: 6+7, 9+10 = 13 sts

Row 4: ttw, 1 ch, sc2tog 5+6, 8+9 =11 sts

finish:
with the end of yarn sew on the ear on the head

sole of foot (make 4)

please work in back- and forth rounds

R 1: make 6 sc in a ring
with a slst join the round

R 2: ttw, 1 ch, 2 sc in each st = 12 sts
with a slst join the round

R 3: ttw, 1 ch, make 2 sc in st: 1, 4, 9, 12 = 16 sts, NOT close the round with a slst and

work in row:

Row 1: ttw, 1 ch, make 2 sc in stitch:
1, 7, 10, 16 = 20 sts and weave in

hind leg: (make 2) work in rows

Row 1: 25 ch, 1sc in each ch from second ch from hook = 24 sts

Row 2: ttw, 1 ch, sc2tog: 7+8, 10+11, 14+15, 17+18 = 20 sts

3 rows: ttw, 1 ch, 2sc in first stitch,
sc2tog: 9+10, 11+12, 2 sc in last stitch = 20sts

6 rows: ttw, 1 ch, work 1 sc in each st = 20 sts

Row 12: ttw, 1 ch, make 2 sc in stitch:
8, 10, 11, 13 = 24 sts

Row 13: ttw, 1 ch, work 1 sc in each st = 24 sts

Row 14: ttw, 1 ch, make 2 sc in first stitch,
sc2tog: 10+11,14+15, make 2 sc in last st=24sts

Row 15: ttw, 1 ch, work 1 sc in each st =24 sts

Row 16: ttw, 1 ch, make 2 sc in first stitch,
sc2tog: 11+12,13+14, make 2 sc in last st=24sts

Row 17: ttw, 1 ch, work 1 sc in each st =24 sts

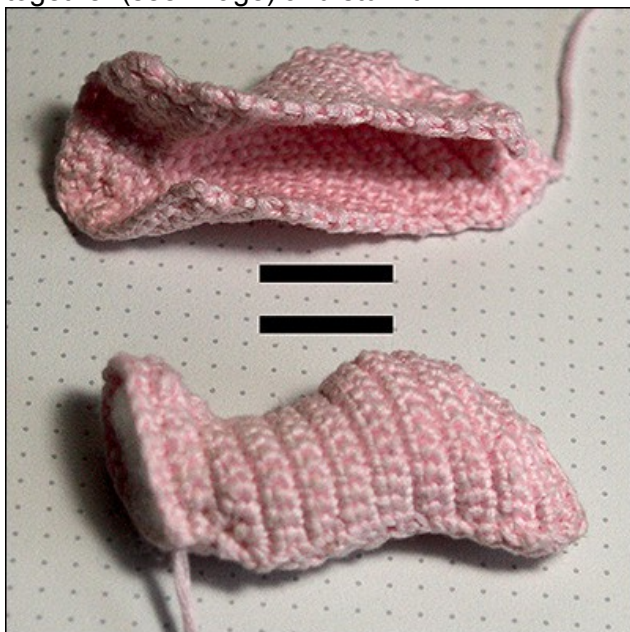
Row 18: ttw, 1 ch, make 2 sc in st: 1, 3,
sc2tog: 9+10, 11+12, 13+14, 15+16,
make 2 sc in stitch 22, 24 = 24 sts

Row 19: ttw, 1 ch, sc2tog: 9+10, 11+12, 13+14,
15+16 = 20 sts

Row 20: ttw, 1 ch, sc2tog: 7+8, 9+10, 11+12,
13+14 = 16 sts

Row 21: ttw, 1 ch, sc2tog: 5+6, 7+8, 9+10,
11+12 = 12 sts

finish: with the end of yarn sew the opening
together (see image) and stuff it.



fore leg: (make 2) work in rows

first 5 rows: look hind leg

next 5 rows: ttw, 1 ch,
work 1 sc in each st = 20 sts

Row 12: ttw, 1 ch, make 2 sc in stitch:
8, 10, 11, 13 = 24 sts

Row 13: ttw, 1 ch, sc2tog: 9+10, 11+12, 13+14,
15+16 = 20 sts

2 rows: ttw, 1 ch, make 2 sc in first stitch,
sc2tog: 9+10,11+12, make 2 sc in last st= 20sts

5 rows: ttw, 1 ch, work 1 sc in each st = 20 sts

Row 21: ttw, 1 ch, (1 sc in next 3 sts, sc2tog)
repeat = 16 sts

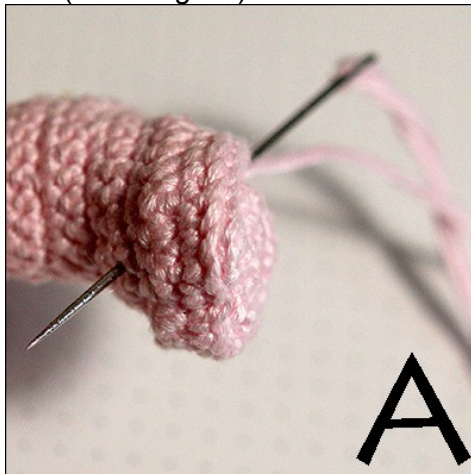
Row 22: ttw, 1 ch, (1 sc in next 2 sts, sc2tog)
repeat = 12 sts

finish: look hind leg

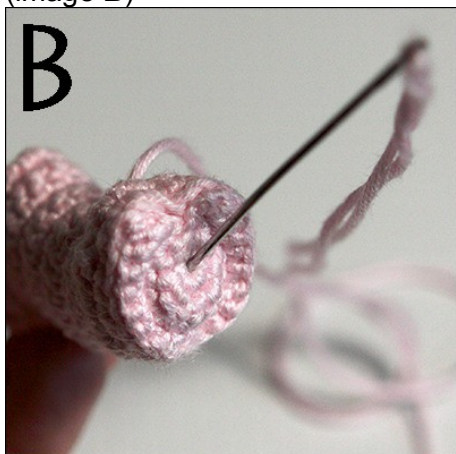
next step: sew the sole on the foot.



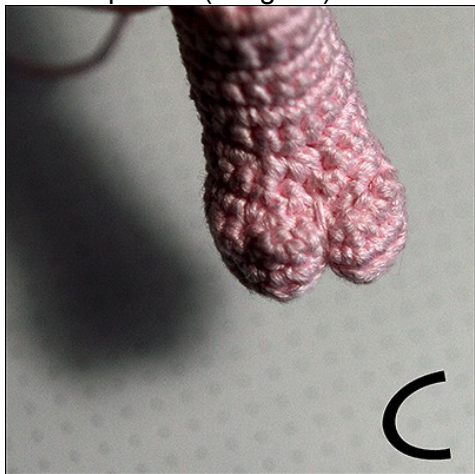
Next step: with the end of yarn prick through the
foot (see image **A**)



next step: now prick in the center from the sole (image B)



next step: tie it (image C) and weave in.



For the pig-face [pull in the eye](#), sew the ears on the head, embroider a mouth. Then sew the legs on the body.

Spot 1: make back- and forth rounds



R 1: make 6 sc in a ring with a slst join the round

R 2: ttw, 1 ch, 2 sc in each st = 12 sts with a slst join the round

R 3: ttw, 1 ch, (1 sc, 2 sc in next st) around with a slst join the round = 18 sts

mark stitch 6, 10, 16 with a color yarn, now works in rows.

Row 1: ttw, 1 ch, 1 sc in first 5 sts, turn =5 sts

Row 2: 1 ch, sc2tog, 1 sc in last 3 sts = 4sts

Row 3: ttw, 1 ch, sc2tog: 1+2, 3+4 = 2 sts

finish: weave in

begin new at the mark stitch 6:

make 1 sc in stitch 6, 7, 8, 9 = 4 sts

Row 2: ttw, 1 ch, 2 sc in each st = 4 sts

Row 3: ttw, 1 ch, sc2tog 1+2, 3+4 = 2 sts

finish: weave in

begin new at the mark stitch 10:

make 1 sc in st: 10, 11, 12, 13, 14, 15 = 6 sts

Row 2: ttw, 1 ch, sc2tog 1+2, 5+6 = 4 sts

Row 3: ttw, 1 ch, sc2tog 1+2, 3+4 = 2 sts

finish: weave in

begin new at the mark stitch 16:

make 1 sc in st: 16, 17, 18 = 3 sts

Row 2: ttw, 1 ch, 1sc in first st, sc2tog = 2 sts

Row 3: ttw, 1 ch, sc2tog = 1 sts

finish: crochet around with single crochet and make 2 sc in the (upper) corner. With the end of yarn sew the spot on the body

spot 2: make back- and forth rounds



R 1: make 6 sc in a ring with a slst join the round

R 2: ttw, 1 ch, 2 sc in each st = 12 sts with a slst join the round

R 3: ttw, 1 ch, (1 sc, 2 sc in next st) around with a slst join the round = 18 sts

R 4: ttw, 1 ch, (1 sc in next 2 sts, 2 sc in next st) around, with a slst join the round = 24 sts

R 5: ttw, 1 ch, (1 sc in next 3 sts, 2 sc in next st) around, with a slst join the round = 30 sts

mark stitch 19, 26 with a color yarn, now works in rows.

Row 1: ttw, 1 ch, 1 sc in first 18 sts, the turn the work= 18 sts

Row 2: 1 ch, sc2tog, in next 11 sts make 1 sc an then turn the work (12 sts)

Row 3: make 1 ch, sc2tog, in next 9 sts make 1 sc, 2 sc in last st = 12 sts

Row 4: ttw, 1 ch, 1 sc in first 9 sts, the turn the work= 9 sts

Row 5: 1 ch, make 1 sc in each st = 9 sts

Row 6: ttw, 1 ch, sc2tog: 1+2, 8+9= 7 sts

Row 7: ttw, 1 ch, sc2tog: 1+2, 6+7 ? 5 sts

finish: weave in

begin new at the mark stitch 19:

make 1 sc in st 19 to 25 = 7 sts

Row 2: ttw, 1 ch, make 2 sc in first and last stitch = 9 sts

Row 3: ttw, 1 ch, make 1 sc in each st = 9 sts

Row 4: ttw, 1 ch, make 2 sc in first and last stitch = 11 sts

Row 5: ttw, 1 ch, make 1 sc in each st = 11 sts

4 rows: ttw, 1 ch, crochet the first and last 2 sts from row together. At the end from row 9 you must have 3 sts

Row 10: ttw, 1 ch, make 1 sc in each st = 3 sts

finish: weave in

begin new at the mark stitch 26:

make 1 sc in st 26 to 30 = 5 sts

Row 2: ttw, 1 ch, make 2 sc in first stitch, 1 sc in each of neext 4 sts = 6 sts

Row 3: ttw, 1 ch, sc2tog, 1 sc in next 3 sts, 2 sc in last st = 6 sts

Row 4: ttw, 1 ch, 1 sc in first 4 sts, sc2tog=5 sts

Row 5: ttw, 1 ch, crochet the first and last 2 sts from row together = 3 sts

Row 6: ttw, 1 ch, 1sc in each stitch = 3 sts

Row 7: ttw, 1 ch, sc2tog, 1sc = 2 sts

finish: look spot 1

sport 3: make back- and forth rounds



R 1: make 6 sc in a ring with a slst join the round

R 2: ttw, 1 ch, 2 sc in each st = 12 sts with a slst join the round

R 3: ttw, 1 ch, (1 sc, 2 sc in next st) around with a slst join the round = 18 sts

R 4: ttw, 1 ch, (1 sc in next 2 sts, 2 sc in next st) around, with a slst join the round = 24 sts

R 5: ttw, 1 ch, (1 sc in next 3 sts, 2 sc in next st) around, with a slst join the round = 30 sts

R 6: ttw, 1 ch, (1 sc in next 4 sts, 2 sc in next st) around, with a slst join the round = 36 sts

R 7: ttw, 1 ch, (1 sc in next 5 sts, 2 sc in next st) around, with a slst join the round = 42 sts

mark stitch 16, 26, 38 with a color yarn, now works in rows.

Row 1: ttw, 1 ch, 1 sc in first 15 sts, turn=15 sts

Row 2: 1 ch, make 1 sc in each st = 15sts

Row 3: ttw, 1 ch, 1 sc in first 12 sts, turn=12 sts

Row 4: 1 ch, sc2tog: 1+2, 11+12 = 10 sts

Row 5: ttw, 1 ch, sc2tog, 1 sc in next 6 sts, then turn the work = 7 sts

Row 6: 1 ch, crochet the first and last 2 sts together = 5 sts

Row 7: ttw, 1 ch, crochet the first and last 2 sts together = 3 sts

finish: weave in

begin new at the mark stitch 16:

make 1 sc in st 16 to 25 = 10 sts

2 rows: ttw, 1 ch, make 1 sc in each st = 10 sts

Row 4: ttw, 1 ch, make 2 sc in first and last stitch from row = 10 sts

Row 5: ttw, 1 ch, crochet the first and last 2 sts together = 8 sts

Row 6: ttw, 1 ch, make 1 sc in each st = 8 sts

Row 7: ttw, 1 ch, sc2tog: 1+2, 3+4, 7+8 = 5 sts

Row 8: ttw, 1 ch, crochet the first and last 2 sts together = 3 sts

Row 9: ttw, 1 ch, make 1 sc in each st = 3 sts

Row 10: ttw, 1 ch, sc2tog, 1sc in last st = 2 sts

finish: weave in

begin new at the mark stitch 26:

make 1 sc in st 26 to 37 = 12 sts

Row 2: ttw, 1 ch, work 1 sc in each st = 12 sts

5 rows: ttw, 1 ch, crochet the first and last 2 sts together. At the end from row 7 you must have 2 sts.

Row 8: ttw, 1 ch, sc2tog = 1 st, **finish:** weave in

begin new at the mark stitch 38:

make 1 sc in st 38 to 42 = 5 sts

3 rows: ttw, 1 ch, work 1 sc in each st =5 sts

Row 5: ttw, 1 ch, work 1 sc in first 3 sts, then turn the work = 3 sts

Row 6: 1 ch, sc2tog, 1sc in last st = 2 sts

Row 7: ttw, 1 ch, sc2tog = 1 st

finish: look spot 1

cloverleaf (make 4) work in rows



Info: let the beginning yarn longer

Row 1: 2 ch, 1 sc in second ch from hook = 1 st

Row 2: ttw, 1 ch, work 2 sc in the st = 2 sts

Row 3: ttw, 1 ch, work 2 sc in each st = 4 sts

2 rows: tw, 1 ch, work 2 sc in first and last stitch from row. At the end from row 5 you must have 8 sts

Row 6: ttw, 1 ch, sc2tog: 1+2, 3+4, then let the end of yarn longer, to crochet later around the part with sc (2 sts)

begin new at the mark stitch 5: make 1 ch, sc2tog: 5+6, 7+8 = 2 sts and weave in

Now crochet around with sc and for the heart make 2 sc in the corner sts, in the center from the heart make 2 slst. Weave in.

Whit the beginning yarn make a 1 loop in the leaf apex from leaf 1 and leaf 2, now draw yarn through 2 loops on hook. Make a loop in the leaf apex from leaf 3, now draw yarn through 2 loops on hook. Repeat this step for leaf 4.

Now make 21 ch, make 3 sc in second ch from hook, 1 slst in next chs. At the end sew the leaves together.